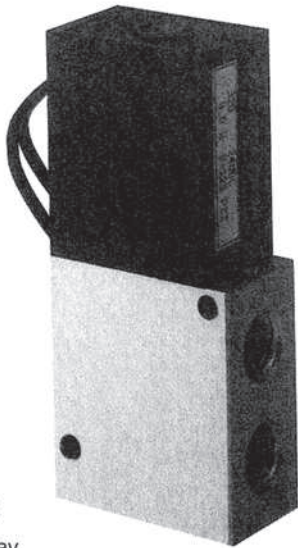


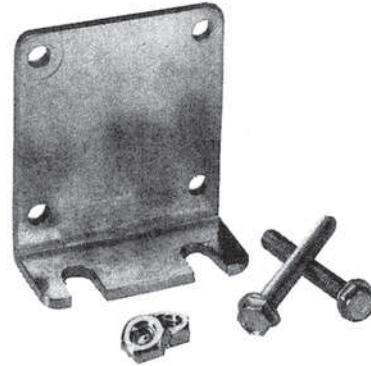
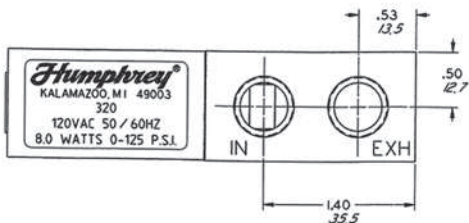
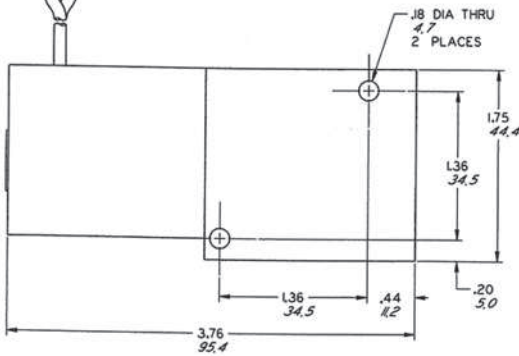
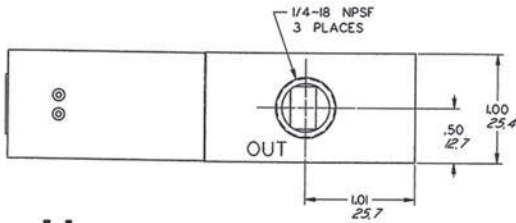
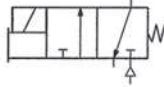
320 SOLENOID VALVES



320

- 3-way
- 2-position, spring return
- Direct acting, single solenoid
- Continuous duty coil
- Three 1/4-18 NPSF ports (IN, OUT, EXH)
- Non-locking manual override
- 24-inch lead wires
- Optional conduit connector (order code -36)

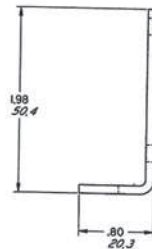
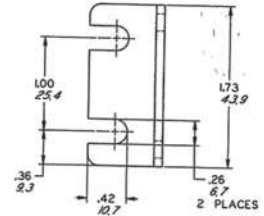
Order example: 320 24VDC



8-388A MOUNTING BRACKET

A convenient, optional plated steel mounting bracket kit is designed for use with both 3-way and 4-way valves. This kit consists of a bracket, two screws, and two captive lockwasher nuts.

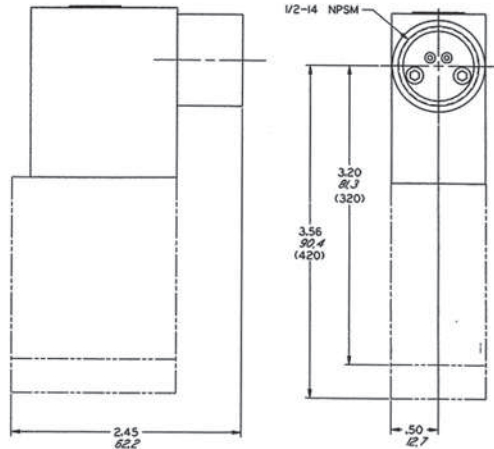
Order example: 8-388A



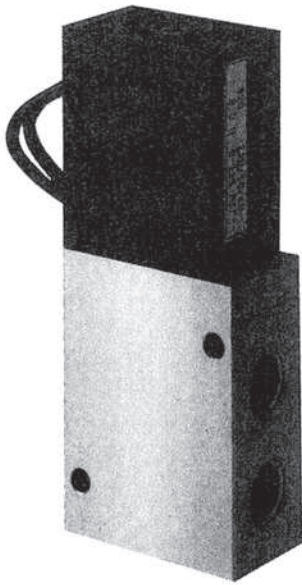
MODEL 320-36

This conduit connector (Order code -36) for closed wiring systems features a steel conduit assembly attached to the valve coil.

Order example: 320-36 24VDC



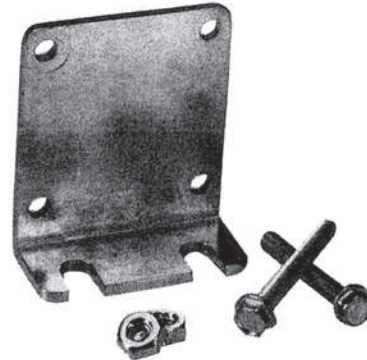
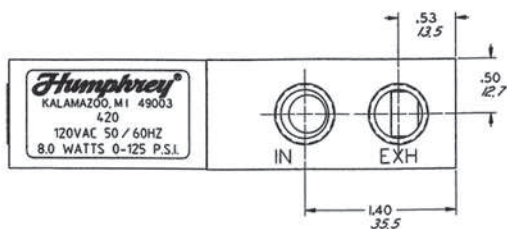
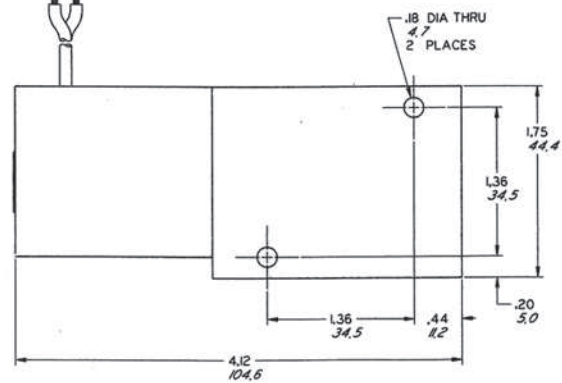
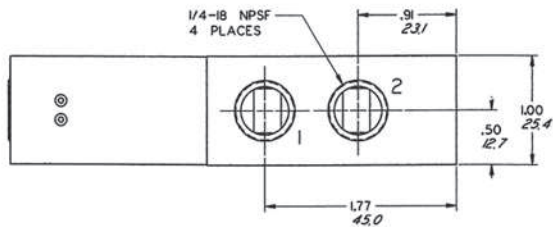
420 SOLENOID VALVES



420

- 4-way, Normally Open/Normally Closed
- 2-position, spring return
- Direct acting, single solenoid
- Continuous duty coil
- Four 1/4-18 NPSF ports: IN, Delivery ports 1 & 2, and single exhaust port (EXH)
- Non-locking manual override
- 24-inch lead wires
- Optional conduit connector (order code -36)

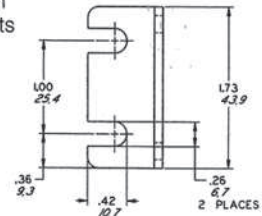
Order example: 420 120 50/60



8-388A MOUNTING BRACKET

A convenient, optional plated steel mounting bracket kit is designed for use with both 3-way and 4-way valves. This kit consists of a bracket, two screws, and two captive lockwasher nuts.

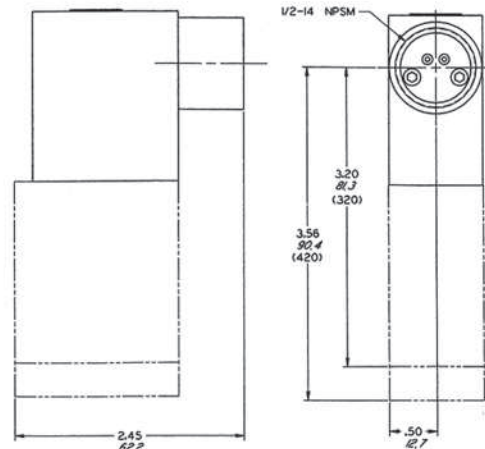
Order example: 8-388A



MODEL 420-36

This conduit connector (Order code -36) for closed wiring systems features a steel conduit assembly attached to the valve coil.

Order example: 420-36 120VAC 50/60



ORDER INFORMATION

320/420 Series Valves
1/4-inch ports, 2-way, 3-way, 4-way

VALVES

Option code	2 Way	Conduit Connector	DIN-type Connector	Transient Suppression Diode (TSD)*	Spring Return Override	Locking Manual Override	No Manual Override	Flying Leads		Rotated Coil (180°)	Specify Voltage
								24"	72"		
Option code	2	36	39	50		81	87		LL	RC	See Below
Model 320 3-way In-line	SP	SP	SP	SP	STD	SP	SP	STD	SP	SP	N/C
Model 420 4-way In-line	SP	SP	SP	SP	STD	SP	SP	STD	SP	SP	N/C

*DC voltages only.

- To specify metric ports, add an "E" prefix (i.e. E320 or E420).
- NOTE: Code 21 (Mounting Bracket with screws) furnished unattached to valve.

Available Voltages

12V DC
 24V DC
 24V AC 50/60
 100V AC 50/60
 120V AC 50/60
 200V AC 50/60
 240V AC 50/60
 12V DC-50
 24V DC-50

ACCESSORIES

Model	Description
8-388A	Universal Mounting Bracket
130-15	Port Plug
HS-3	DIN receptacle for use with code 39 connector
HS-3L	Lighted DIN receptacle for use with code 39 connector. Specify voltage. AC/DC 12V, 24V, 120V, or 240V.

ACCESSORIES

Model	Description
8-388A	Universal Mounting Bracket
130-15	Port Plug
HS-3	DIN receptacle for use with code 39 connector
HS-3L	Lighted DIN receptacle for use with code 39 connector. Specify voltage. AC/DC 12V, 24V, 120V, or 240V.

HOW TO ORDER

Starting with Model Number, specify options in order from left to right.

Example: To order Model 320-2-50-LL 12VDC
 2-way function (320-2)
 TSD coil (320-2-50)
 72" flying leads (320-2-50-LL)
 Voltage 12VDC (320-2-50-LL 12VDC)

To order Model 420-87 120VAC 50/60
 No manual override (420-87)
 Voltage 120 50/60 (420-87 120VAC 50/60)

Remember: Option Codes marked STD, NA, N/C are not used as part of the Model Number when ordering. N/C indicates no charge but Option Code must be included in the Model Number.

N/C = No charge STD = Standard
 NA = Not available SP = Specify; Additional charge for this option